

DS-2CD4132FWD-(I)(Z)(M)



Key Features

- Up to 3 megapixel (2048 x 1536) @ 20 fps resolution
- Standard video compression with high compression ratio.
- Some specialized encoding functions are supported such as ROI (Region of Interest), SVC (Scalable Video Coding), etc.
- Progressive scan CMOS
- Support three streams, main stream and third stream can up to 3MP, sub-stream for mobile surveillance
- Built-in Micro SD / SDHC / SDXC card slot, up to 128GB
- Support 3D DNR
- Support WDR, up to 120dB
- Support Defocus Detection and alarm linkage
- Support smart face detection. People face can be detected and image encoding on face area can be automatically enhanced.
- Support Environmental Noise Filtering
- Support Audio Exception Detection, alarm will be triggered when the sound intensity is over the previous threshold.
- Support Smart Video Analysis functions such as Intrusion Detection, which can be configured on the local IE menu of camera.
- Support people counting, volume of visitor flow can be kept and exported
- IR cut filter with auto switch
- HDMI output(-M)
- Two-way audio
- Support Smart Defog
- Support EIS
- PoE (Power over Ethernet)
- Support up to 20 channels live view at the same time
- Auto-iris, electronic shutter, rotate mode for different surveillance environments
- Support local analog video output for adjustment and installation

- 3-axis (pan/tilt/rotation) positioning allows adjustment for optimum camera rotation and position
- LOGO picture can be overlaid on video
- Other functions: IP address filtering, anonymous access, PTZ control, alarm, reset button, mirror, etc.

Specification

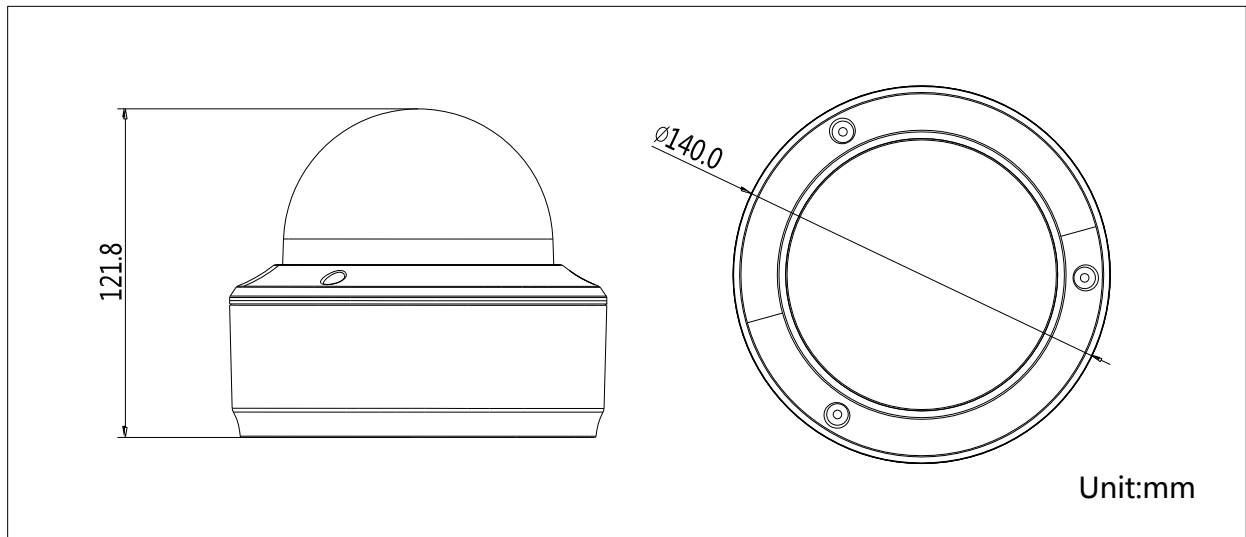
Model	DS-2CD4132FWD-(I)(Z)(M)
Parameter	3 Megapixel CMOS WDR Network Dome Camera
Camera	
Image Sensor	1/3" Progressive Scan CMOS
Min. Illumination	0.1 Lux @ (F1.2, AGC ON), 0 lux with IR 0.14 Lux @ (F1.4, AGC ON), 0 lux with IR
Shutter Speed	1 s to 1/100,000 s
Slow Shutter	Support
Lens	2.8-12mm @ F1.4, angle of view: 91.2-28.3° -Z: 2.8-12mm @ F1.4, angle of view: 91.2-28.3°
Lens Mount	Φ14
Angle Adjustment	Pan:0° - 355°, Tilt: 0° - 75°, Rotation: 0° - 355°
Auto-iris	DC drive
Day & Night	Electronic (-I: IR cut filter with auto switch)
Digital Noise Reduction	3D DNR
Wide Dynamic Range	120dB
Compression Standard	
Video Compression	H.264/MPEG4/MJPEG
H.264 Type	Baseline Profile / Main Profile / High Profile
Video Bit Rate	32 Kbps – 16 Mbps
Audio Compression	G.711/G.722.1/G.726/MP2L2
Audio Bit Rate	64Kbps(G.711) / 16Kbps(G.722.1) / 16Kbps(G.726) / 32-128Kbps(MP2L2)
Image	
Max. Resolution	2048x1536
Frame Rate	50Hz: 20fps (2048 × 1536), 25fps (1920 × 1080), 25fps (1280 × 720) 60Hz: 20fps (2048 × 1536), 30fps (1920 × 1080), 30fps (1280 × 720)
Third Stream	Independent with Main Stream and Sub Stream, up to 50Hz: 20fps (2048 × 1536) 60Hz: 20fps (2048 × 1536)
BLC	Support
Smart Defog	Support

EIS	Support
Image Setting	Rotate mode, Saturation, Brightness, Contrast adjustable by client software or web browser
Day/Night Switch	Auto/Schedule/Triggered by Alarm In
ROI	Support 4 different areas configuration in all the three streams with adjustable 6 levels. Automatically dynamic tracking with face detection can be configured.
Picture Overlay	LOGO picture can be overlaid on video with 128x128 24bit bmp format
Network	
Network Storage	NAS (Support NFS,SMB/CIFS)
Alarm Trigger	Intrusion detection, Defocus detection, Motion detection, Face detection, Dynamic analysis, Tampering alarm, Network disconnect, IP address conflict, Storage exception
Protocols	TCP/IP,ICMP,HTTP,HTTPS,FTP,DHCP,DNS,DDNS,RTP,RTSP,RTCP, PPPoE,NTP,UPnP,SMTP,SNMP,IGMP,802.1X,QoS,IPv6,Bonjour
Security	User Authentication, Watermark, IP address filtering, Anonymous access
Standard	ONVIF, PSIA, CGI, ISAPI
Interface	
Audio Input	1-ch 3.5 mm audio interface, Mic in/Line in
Audio Output	1-ch 3.5 mm audio interface
Communication Interface	1 RJ45 10M/100M Ethernet port, 1 RS-485 interface
HDMI Output	1(-M)
Alarm Input	1
Alarm Output	1
Video Output	1Vp-p composite output (75 Ω/BNC)
On-board storage	Built-in Micro SD/SDHC/SDXC slot, up to 128 GB
Reset Button	Yes
General	
Operating Conditions	-30 °C – 60 °C (-22 °F – 140 °F) Humidity 95% or less (non-condensing)
Power Supply	12 VDC ± 10% / PoE (802.3af)
Power Consumption	Max. 6.5 W Max. 9.5 W(IR: 2W, motorized VF lens: 1W)
IR Range	-I: Approx. 10 to 30 meters
Impact Protection	IEC60068-275Eh, 20J; EN50102, up to IK10
Dimensions	Φ 140 × 121.8 mm (Φ 5.51" × 4.80")
Weight	1400 g (3.09 lbs)

Order Models

DS-2CD4124F, DS-2CD4124F-I, DS-2CD4124F-Z, DS-2CD4124F-IZ, DS-2CD4124F-M, DS-2CD4124F-IM,
DS-2CD4124F-ZM, DS-2CD4124F-IZM

Dimensions



Accessories



Indoor in-ceiling mount
DS-1227ZJ



Indoor wall mount
DS-1273ZJ-130